



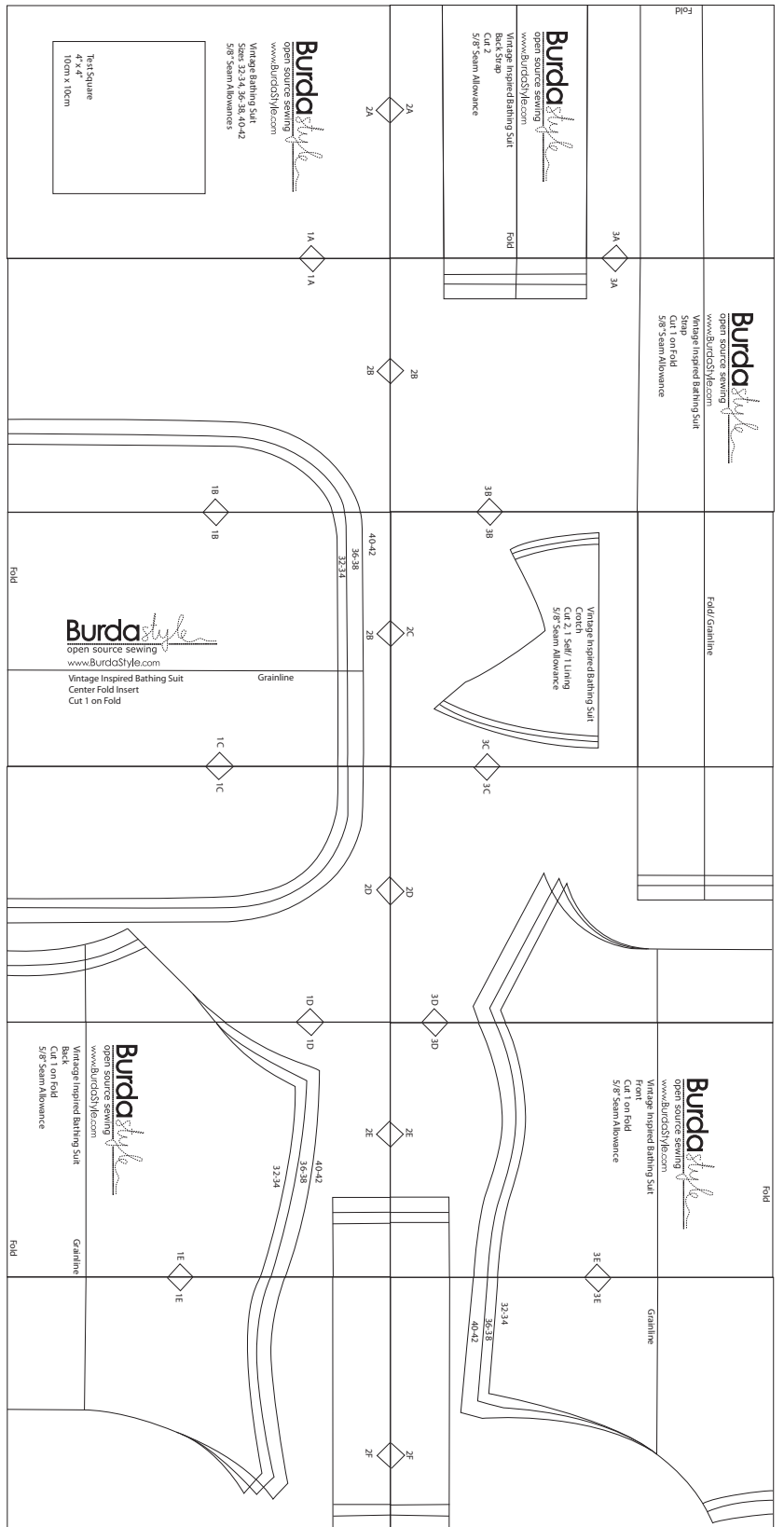
open source sewing

www.BurdaStyle.com

Vintage Inspired Bathing Suit

Print at Home

Layout Drawing



2A

Burda *style*

open source sewing

www.BurdaStyle.com

Vintage Bathing Suit

Sizes 32-34, 36-38, 40-42

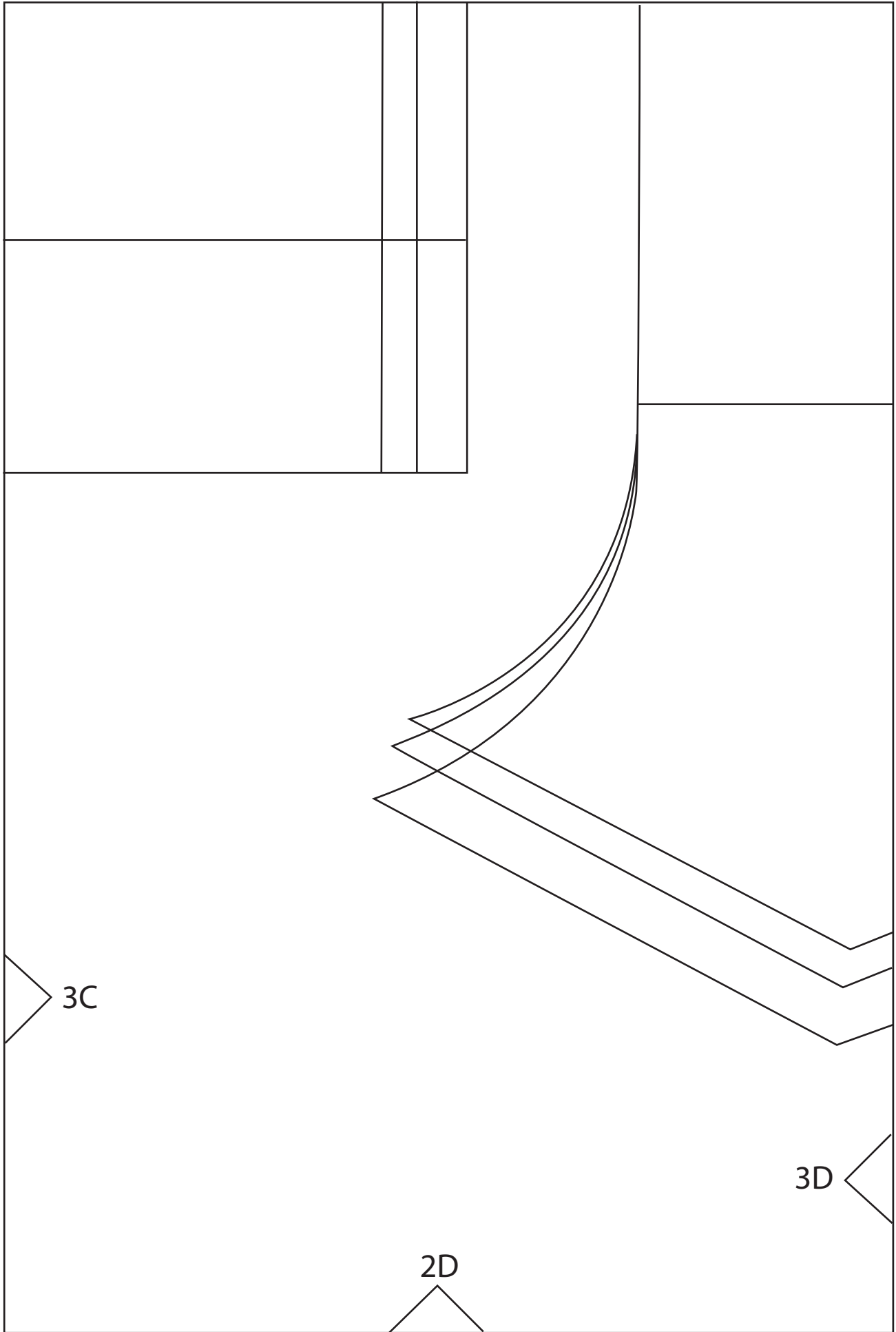
5/8" Seam Allowances

1A

Test Square

4" x 4"

10cm x 10cm



3C

2D

3D

Fold

Burda*style*

open source sewing

www.BurdaStyle.com

Vintage Inspired Bathing Suit

Front

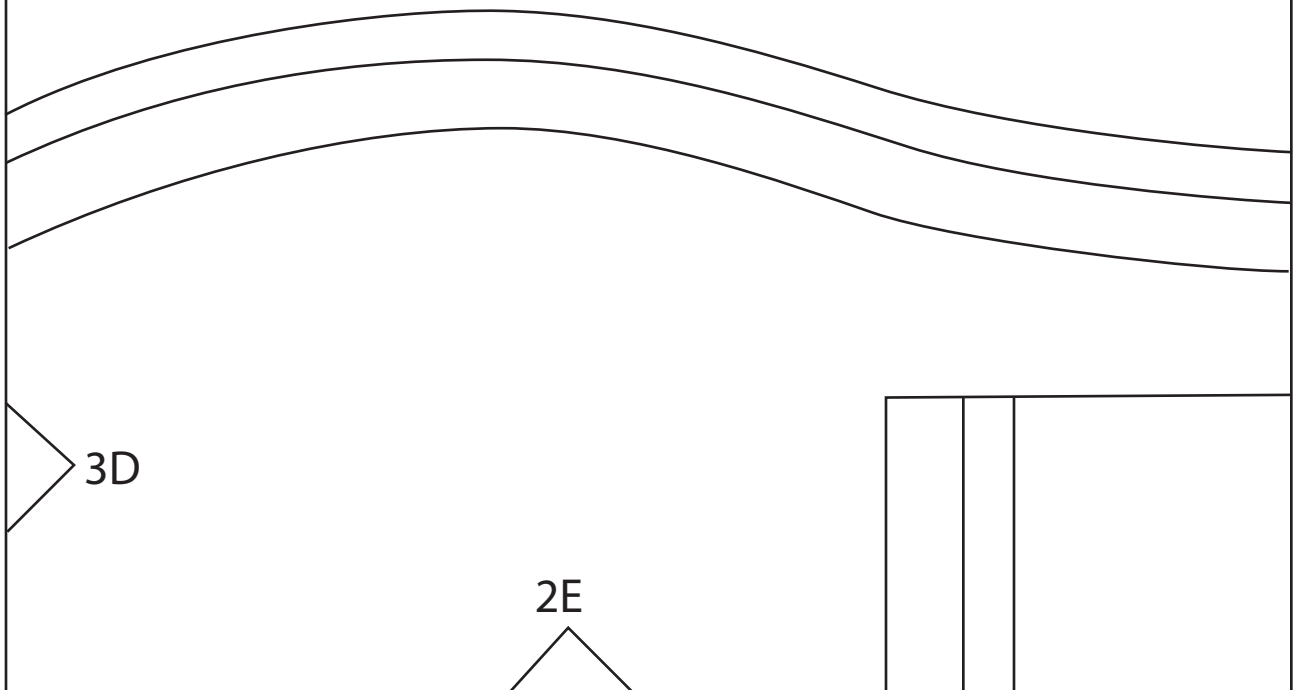
Cut 1 on Fold

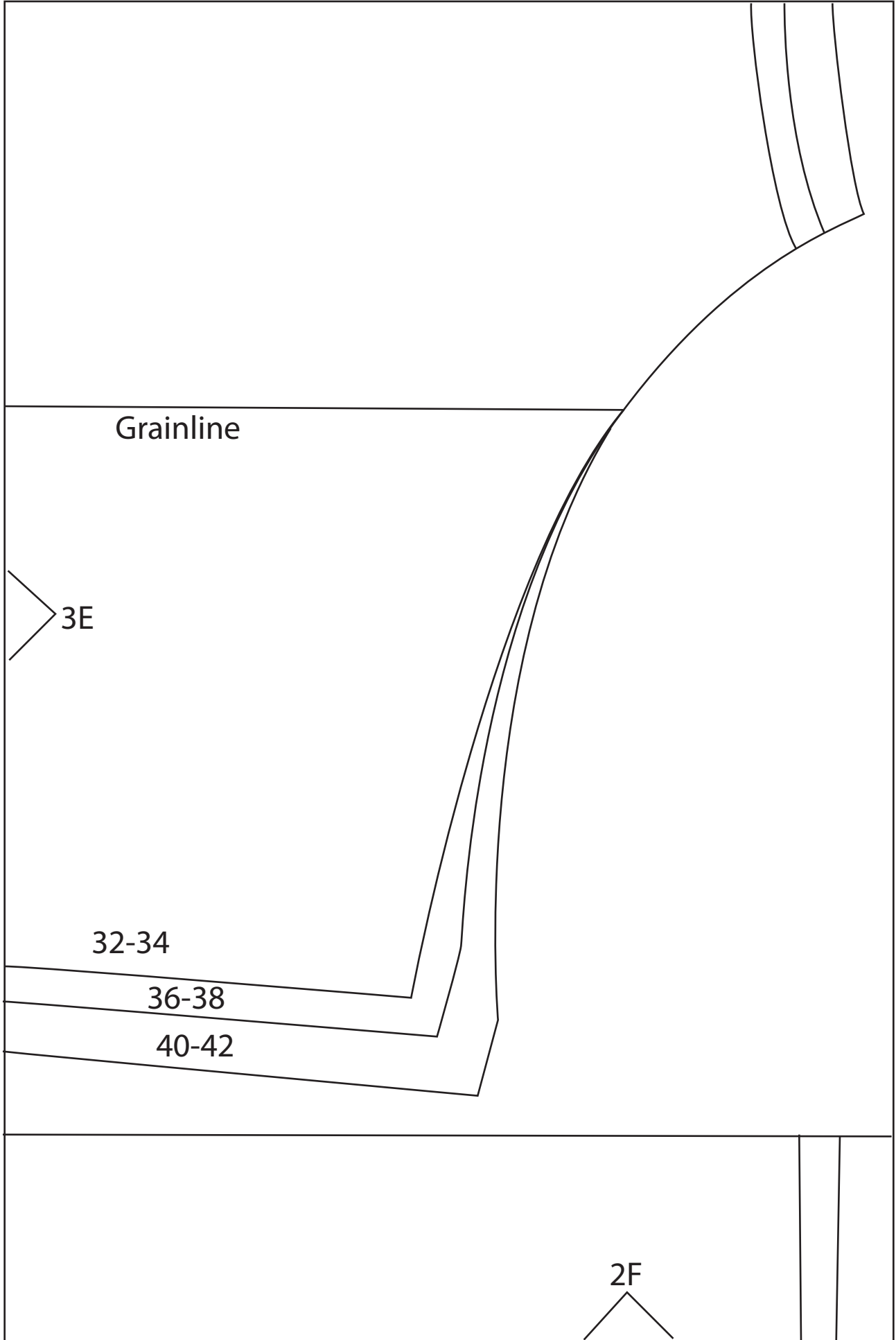
5/8" Seam Allowance

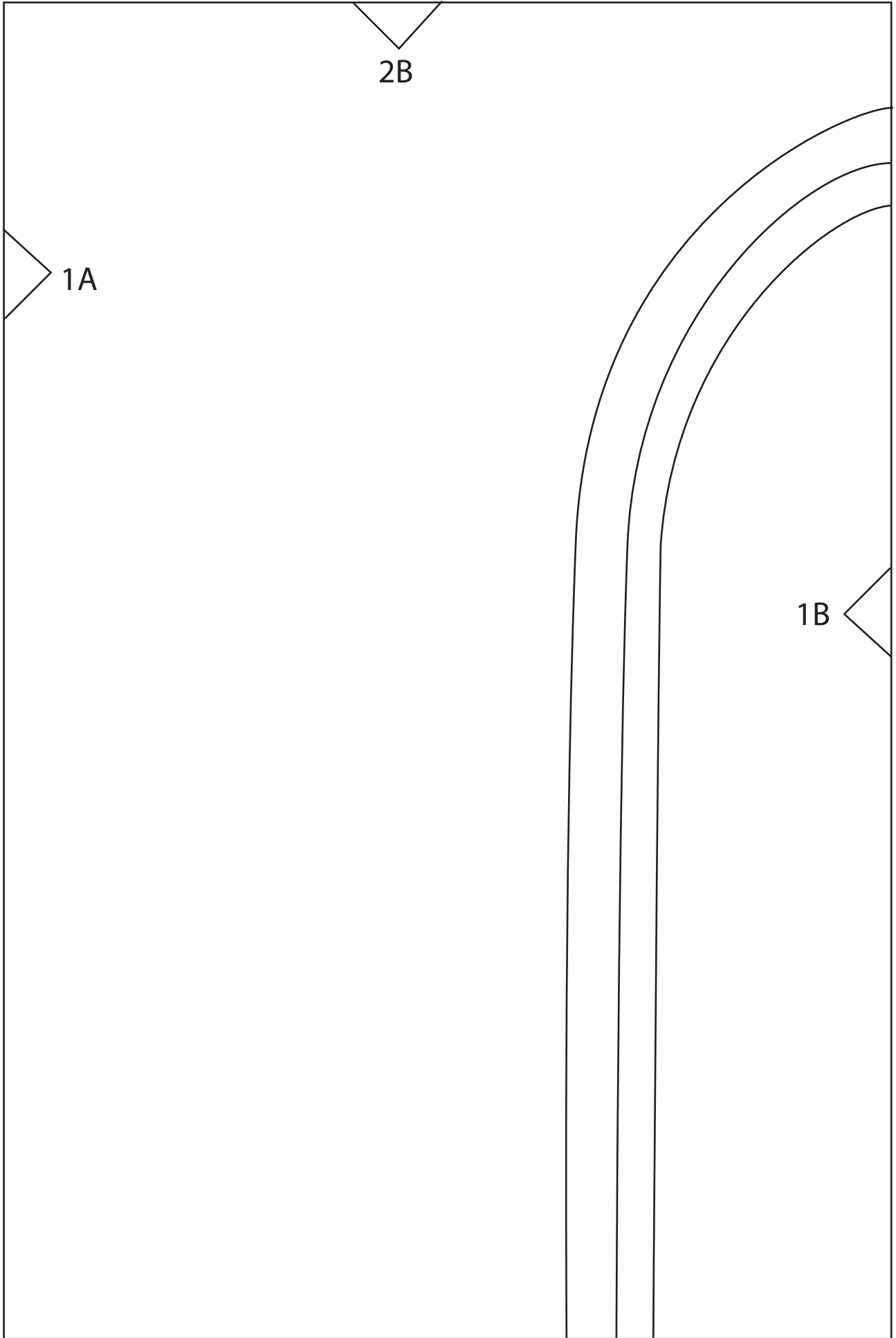
3E

3D

2E







40-42

2B

36-38

32-34

1B

1C

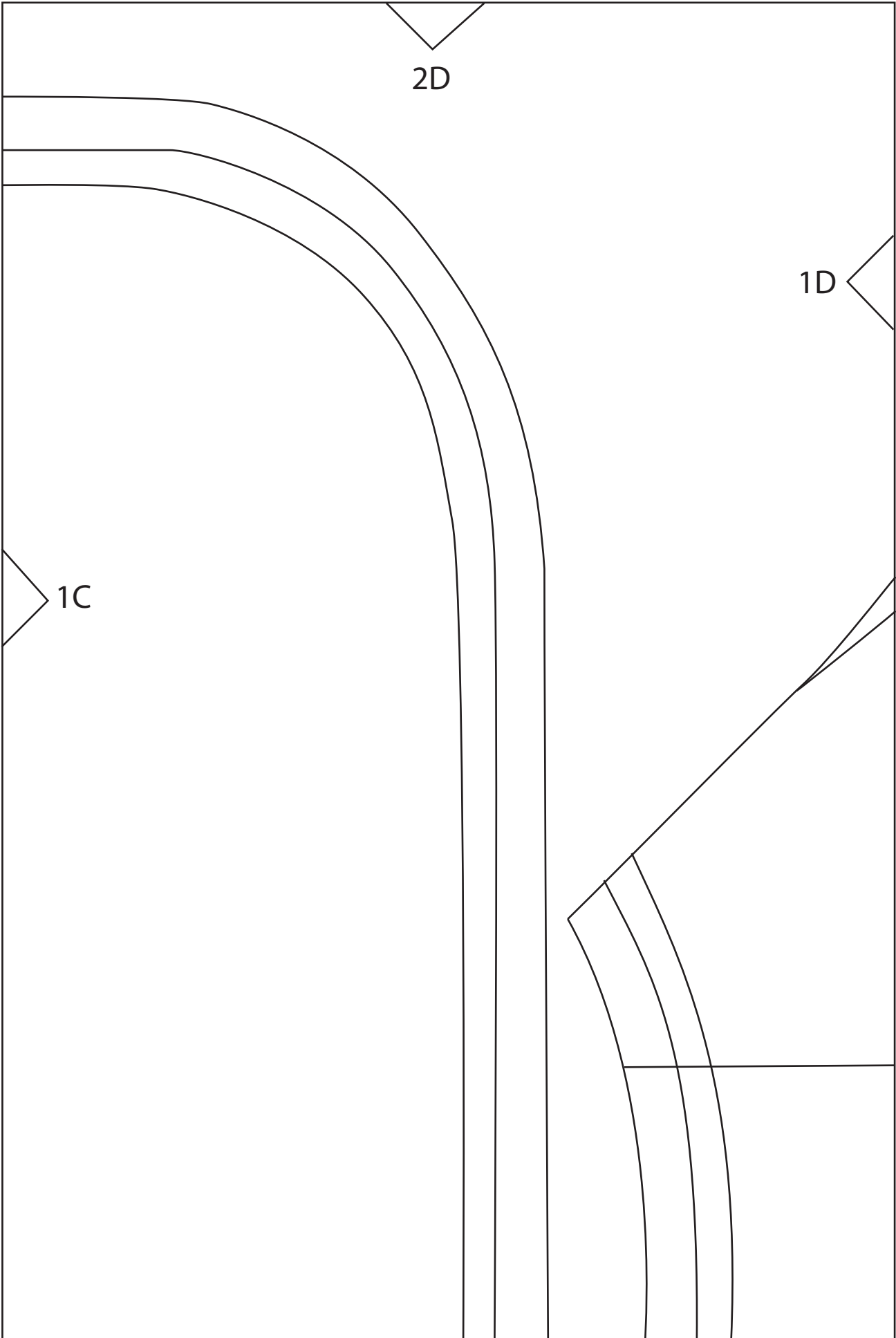
Burda *style*
open source sewing

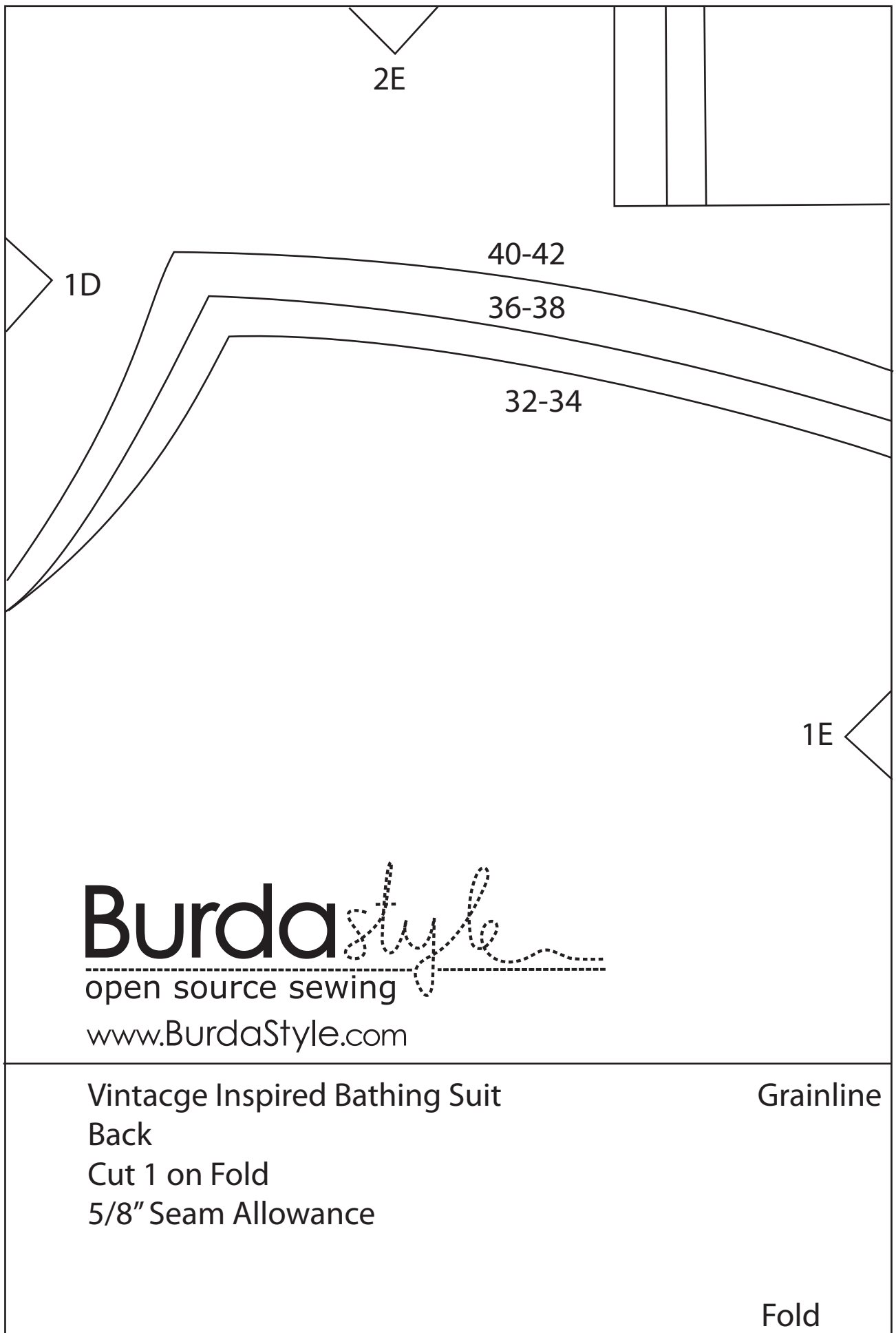
www.BurdaStyle.com

Vintage Inspired Bathing Suit
Center Fold Insert
Cut 1 on Fold

Grainline

Fold





2E

40-42

36-38

32-34

1D

1E

Burda*style*
open source sewing
www.BurdaStyle.com

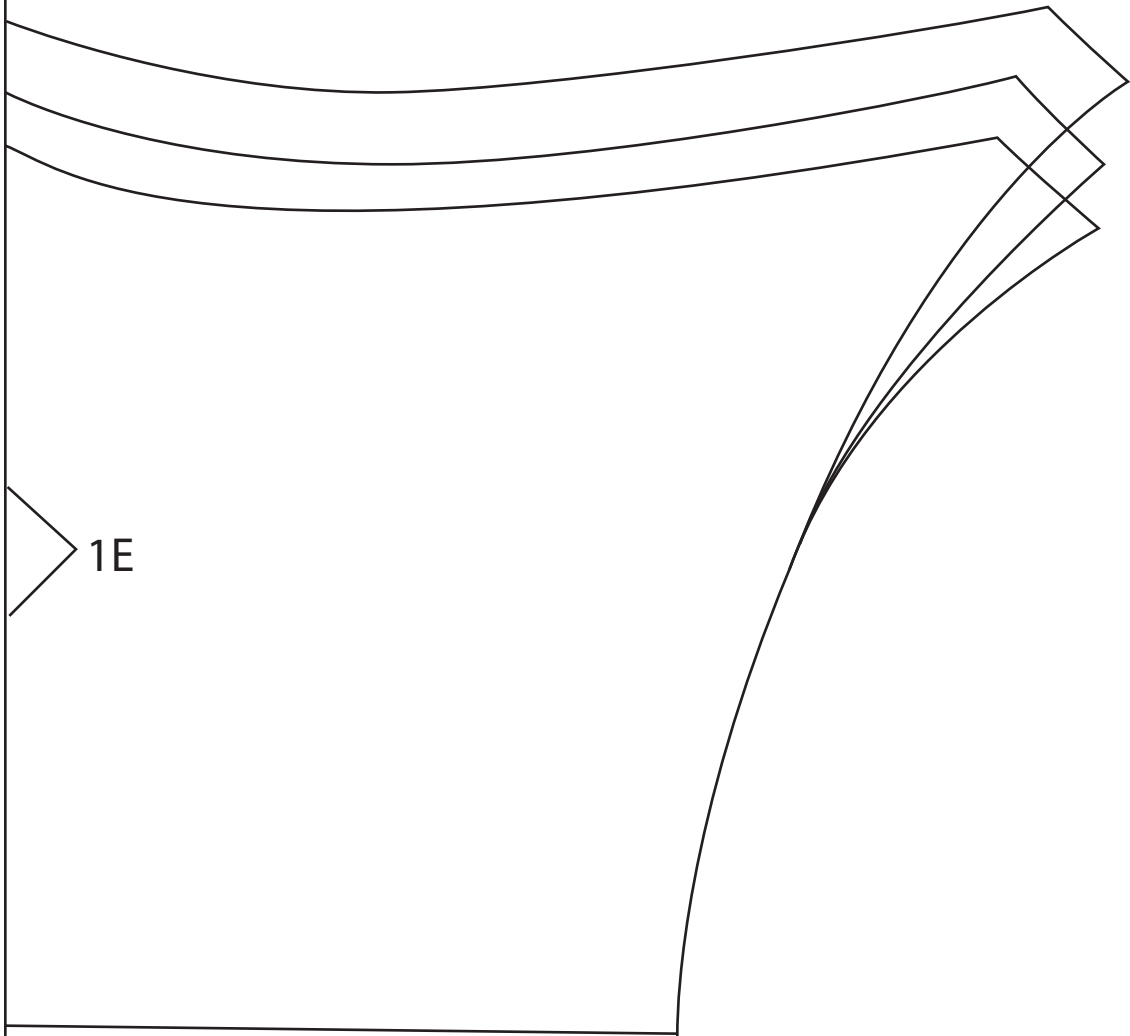
Vintage Inspired Bathing Suit
Back
Cut 1 on Fold
5/8" Seam Allowance

Grainline

Fold

2F

1E



Fold

3A

Burda*style*
open source sewing
www.BurdaStyle.com

Vintage Inspired Bathing Suit
Back Strap
Cut 2
5/8" Seam Allowance

Fold

2A

Burda *style*
open source sewing

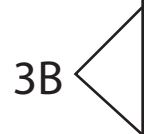
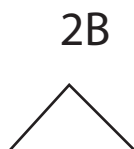
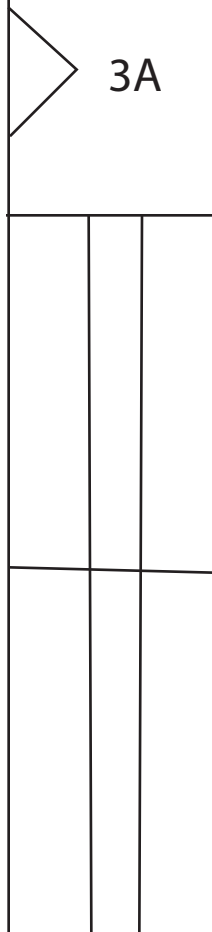
www.BurdaStyle.com

Vintage Inspired Bathing Suit

Strap

Cut 1 on Fold

5/8" Seam Allowance



Fold/ Grainline

Vintage Inspired Bathing Suit
Crotch
Cut 2, 1 Self/ 1 Lining
5/8" Seam Allowance

3B

3C

2C

